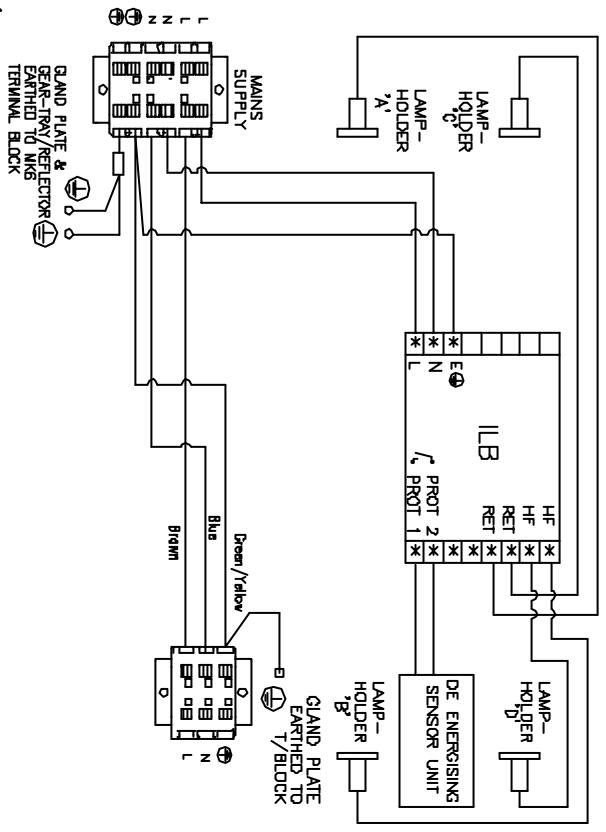
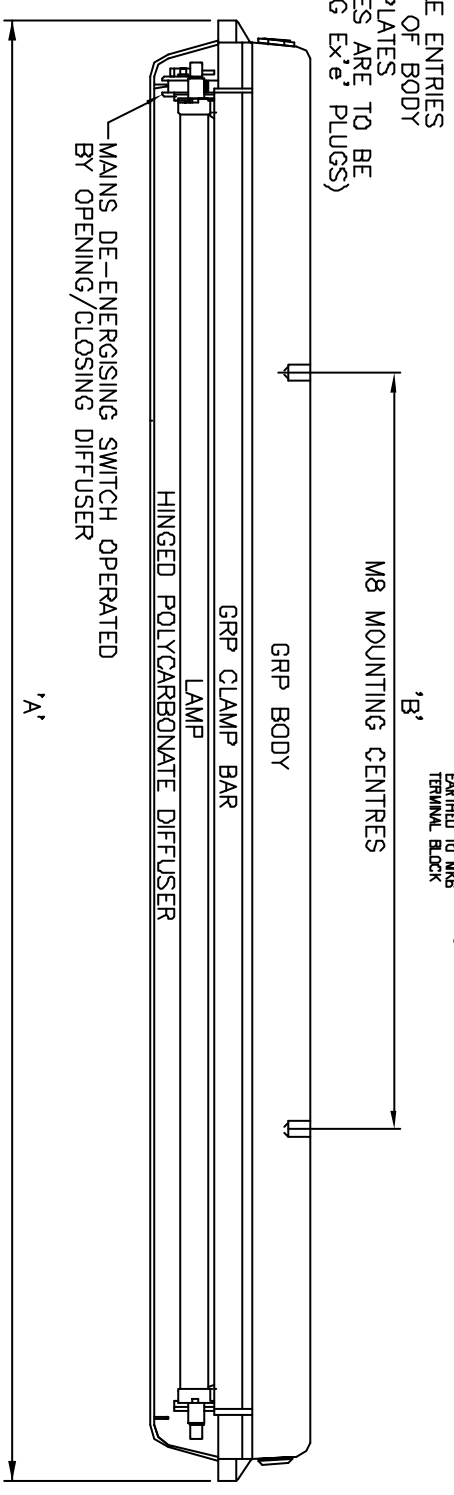
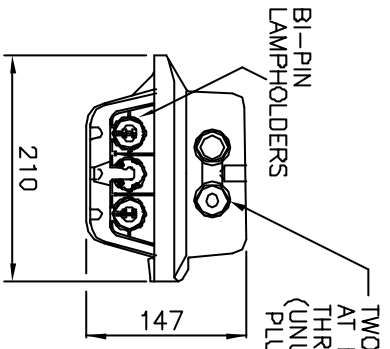


- NOTES
- i) IP 66/67 RATING
  - ii) SUITABLE FOR 3 CORE 2.5mm SQ. INCOMING CABLE AS STANDARD.
  - iii) THRO' WIRING IS STANDARD ON ALL MODELS.
  - iv) THERE ARE TWO M8 THREADED BRASS BUSHES INSERTED INTO GRP BODY FOR MOUNTING TO CEILING.(SEE DIMENSION 'B')
  - v) BI-PIN LAMP HOLDERS ARE STANDARD.
  - vi) EC Type Examination Certificate Baseef004ATEX0220



MODEL	'A'	'B'	CODING	WEIGHT
1x18W	742	400	II 2 G D EEx eqm II T4 AMB. -20°C to 55°C, T95°C	4.0 kg
2x18/20W	742	400	II 2 G D EEx eqm II T4 AMB. -20°C to 55°C, T95°C	4.2 kg
1x36W	1352	700	II 2 G D EEx eqm II T4 AMB. -20°C to 55°C, T95°C	9.6 kg
2x36/40W	1352	700	II 2 G D EEx eqm II T4 AMB. -20°C to 55°C, T95°C	10 kg

WITHOUT OUR PERMISSION THE DRAWING WHICH IS OUR PROPERTY MAY NOT BE REPRODUCED OR MADE AVAILABLE TO THIRD PARTIES. PERMISSION IS GIVEN TO REPRODUCE THIS DRAWING FOR INTERNAL PURPOSES ONLY.

CHANGE	DATE	BY	REASON

**Chalmit Lighting**

Chalmit Lighting  
288 Hildgen Road,  
Singapore 488  
Tel: 6741 882 5555 Fax: 6741 883 3704

PRD 2x18/35W 1LB  
WITH WIRING DIAGRAM  
Base of DATE X0220

DRAWING NUMBER/SHEET NUMBER  
F1849 01 OF 01